

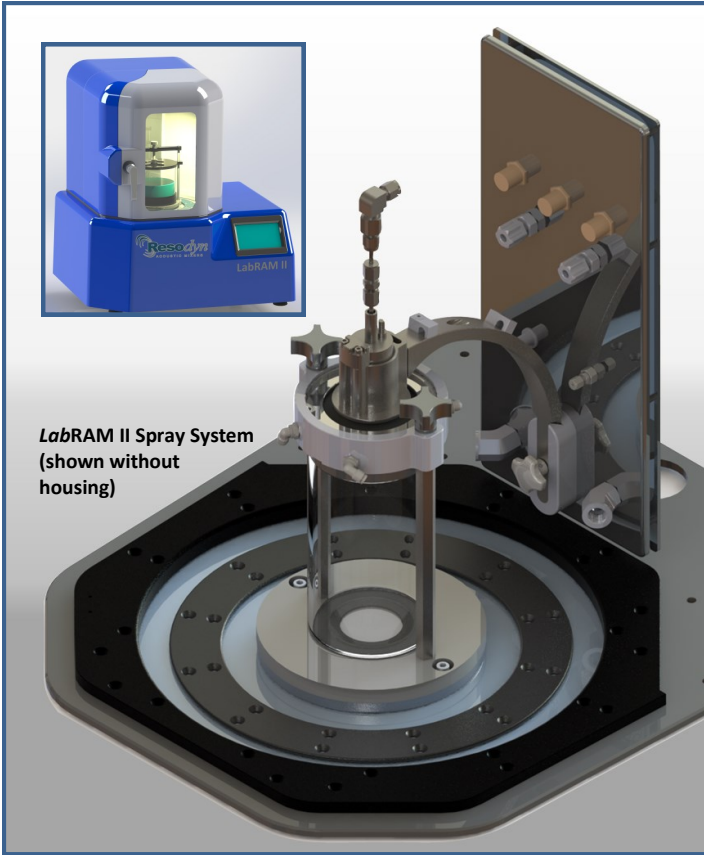


LabRAM Spray System

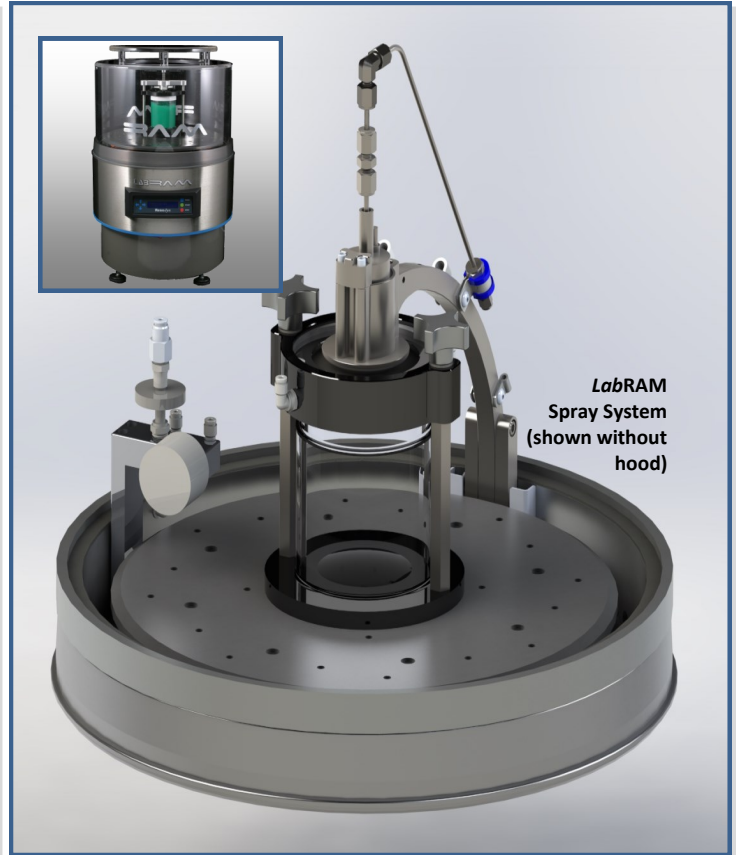


How You
Think About
Mixing and Processing

Designed to expand the function of **LabRAM™** bench scale models, the Resodyn Spray System mounts to the resonator plate of a **LabRAM™** 1.1 lbs. (500 gm) or 2.2 lbs. (1000 gm) machine, adding a spray coating feature to **LabRAM™**'s capabilities. Utilizing the existing **ResonantAcoustic® Mixing (RAM)** platform, the bed of dry ingredients is fluidized while the Spray System's ultra-sonic nozzle creates a mist, coating particles without wetting.



LabRAM II Spray System
(shown without
housing)



LabRAM
Spray System
(shown without
hood)

Key Features

- Suitable for intermittent or continuous operation
- Equipped with vacuum ports to assist drying

- Operated with a peristaltic and / or syringe pump
- Easy installation and operation
- Integrates with effective and efficient RAM mixing technology

Processing Benefits

- Can significantly improve uniformity of coating and mix quality
- Expand the mixing capabilities of a **LabRAM™ II** mixer to coat dry powder ingredients

- Coats dry / powder mix ingredients in standard 16 fluid ounce mixing vessel
- Meters a constant and precise amount of atomized liquid for consistent and homogenous coating

The LabRAM Spray Systems Include:

LabRAM™ II spray system assembly

Ultrasonic nozzle and controller

PUMP OPTIONS: Peristaltic and/or syringe pump

OPTIONAL: Vacuum system



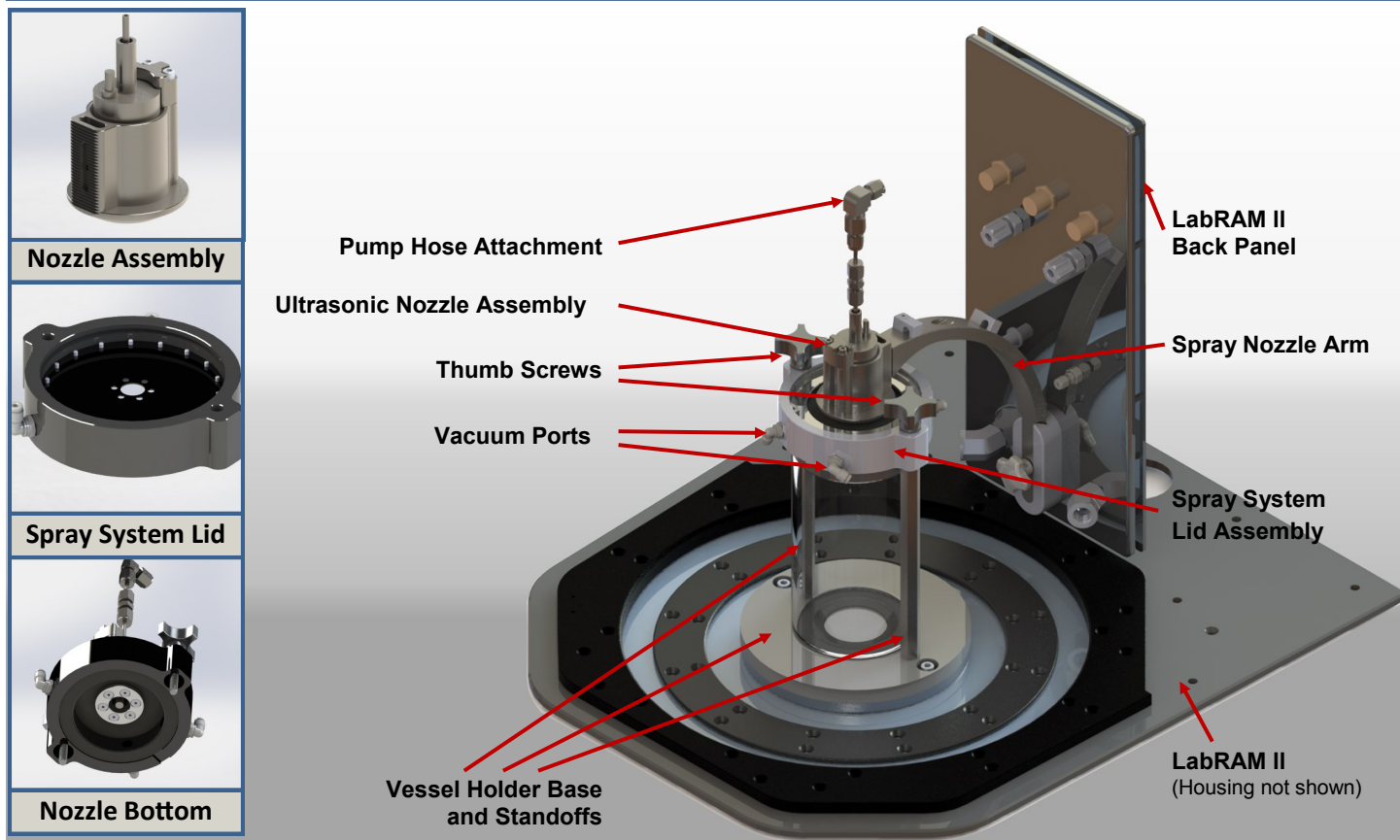
130 North Main Street, Suite 630
Butte, MT USA 59701 (406) 497-5333

info@ResodynMixers.com www.ResodynMixers.com



How You Think About Mixing and Processing

LabRAM Spray System



Item	Process Requirements	Quantity
Vessel and Lid	Product Vacuum (Purchased Separately)	Capable up to 26 in. Hg.
	Acceleration	Up to 35 g
Nozzle	Viscosity	Up to ~5,000 cP
	Power	Single Phase, 110-240VAC, 15A, 50/60 Hz Power
	Material	Liquid
	Frequency	130 kHz
	Mean Particle Size (Water)	12 μm
	Flow Rates	0—20 mL/min

Other Resodyn Acoustic Mixer Products



Processing Technology of Choice for Development, Processing Around the Globe

130 North Main Street, Suite 630
Butte, MT USA 59701 (406) 497-5333

info@ResodynMixers.com www.ResodynMixers.com